



Up to 350W cooling power

Liquid-to-Air Peltier Assembly

Quick fittings

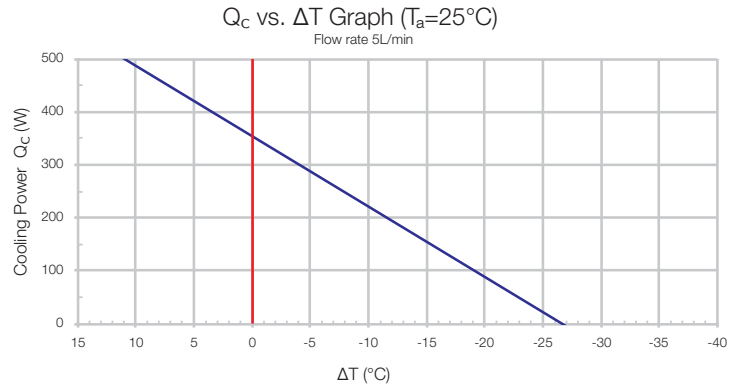
**Compact and suitable
in any orientation**

Typical Applications

- Laser cooling
- Aesthetic/cosmetic devices
- Low power industrial cooling
- Medical or Laboratory equipment

Thermoelectric Chiller Assembly

Cooling Performance



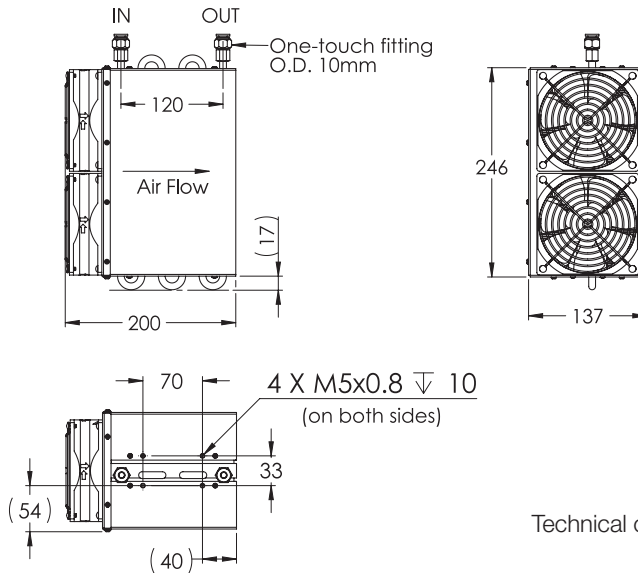
Technical Data

Model N°	A340-24-LA-002
Voltage	24 VDC
Rated Current	14A to 16A
Cooling Capacity (ΔT=0°C)	350 W
Operating Temp. (Water)	5°C to 60°C
Overheat Thermostat	85°C
Temperature Sensor	1KΩ@25°C
Low Noise Level	
Material	Tubing: Copper / Fitting: Brass
Weight	7kg
Mounting	Horizontal and Vertical

Features/Benefits

- Liquid-to-Air Peltier assembly, high reliable solid-state technology and maintenance-free system
- Optimized cooling performance offering high efficiency
- Quick One-touch fittings, for fast and easy water pipe connection
- Hybrid liquid plate made of copper and aluminum, for better heat exchange and use of deionized water
- Compact design that will fit most installations
- RoHS Compliant

Dimensions and Mounting holes



Technical changes reserved.



Ferrotec Europe GmbH

The Squire 15, am Flughafen
60549 Frankfurt am Main
Germany

Tel.: +49 64 35 704 40

thermoelectric@de.ferrotec.com
www.ferrotec-global.com